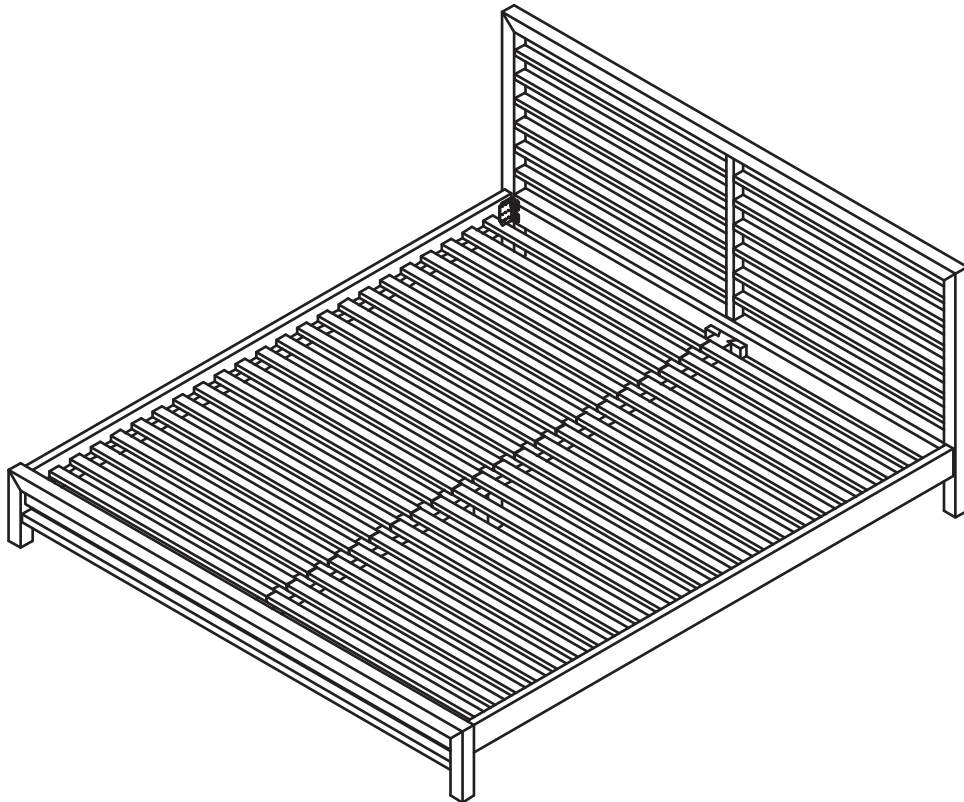


SOLID WOOD ONLY®


KARPENTER®
Designed by Us Defined by Nature

ASSEMBLY INSTRUCTIONS

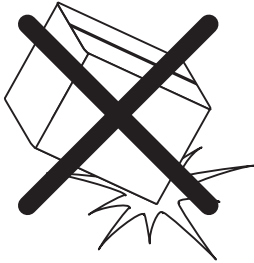


JUN
BED WITH SLATS

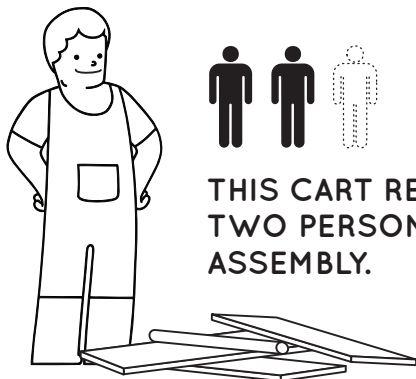


-  129.5 KG
-  5/5 (HARD)
-  ½ 30 MINS

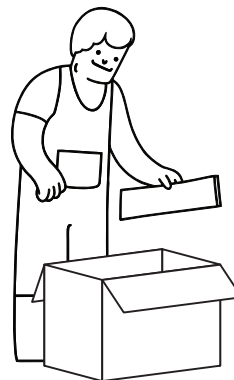
IT'S FINALLY ARRIVED!
BEFORE ASSEMBLE
THIS PRODUCT,
PLEASE READ
ALL INSTRUCTIONS
CAREFULLY.



PLEASE BE CAREFUL
WHEN ASSEMBLING AND
TRY NOT TO DROP
THE SOLID WOOD
COMPONENTS.



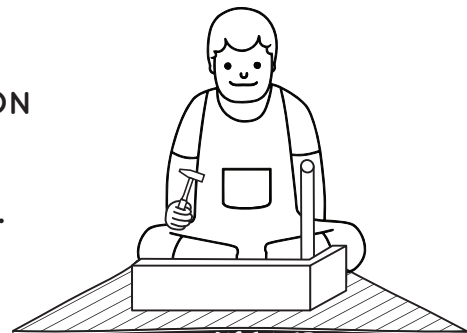
THIS CART REQUIRES
TWO PERSONS TO DO
ASSEMBLY.



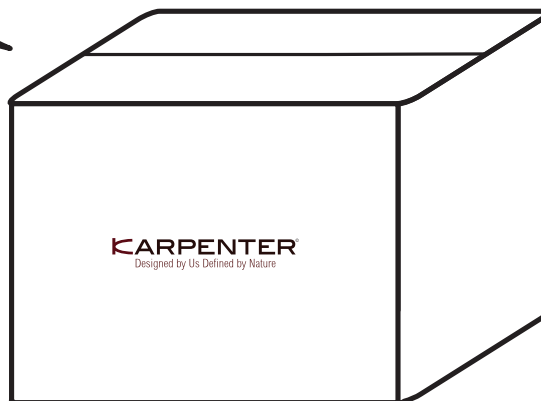
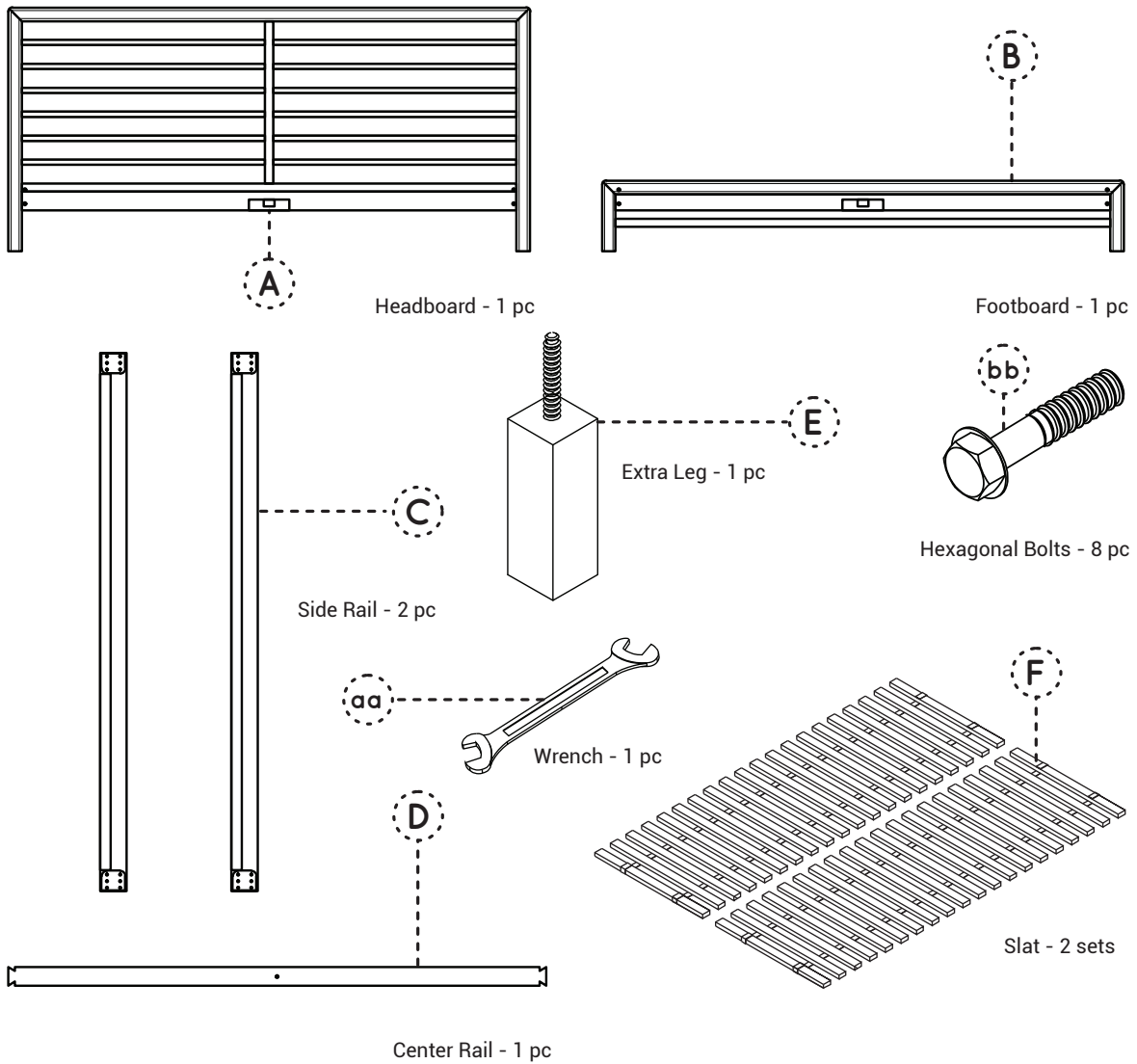
FIND
THE LETTER
(A, B, C,.) OR
NUMBER (1, 2, 3,.)
ON EACH PART.



PLACE ALL PARTS ON
A CARPET OR
FOAM FROM
THE SHIPPING BOX.

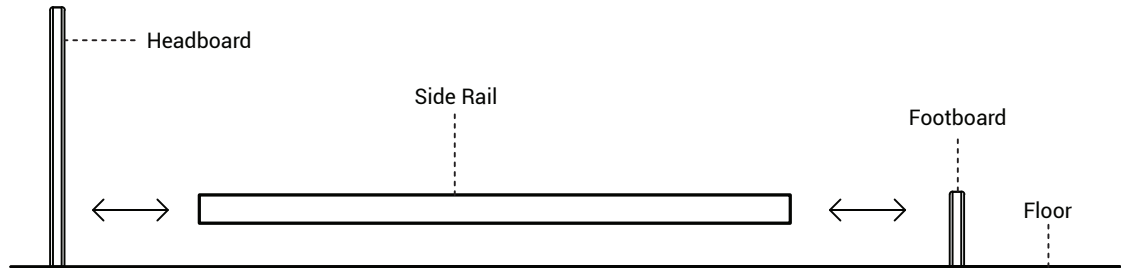


PRODUCT COMPONENTS
INSIDE THE BOX



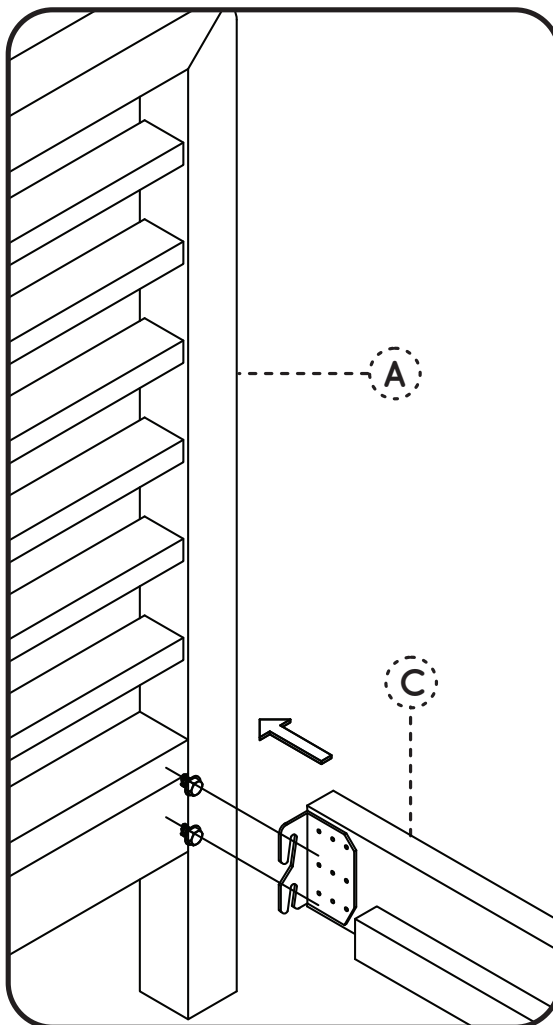
1

LAY ALL COMPONENTS (A, B, C,..) ONTO CLEAN SMOOTH SURFACE AS CARPET OR CARDBOARD.

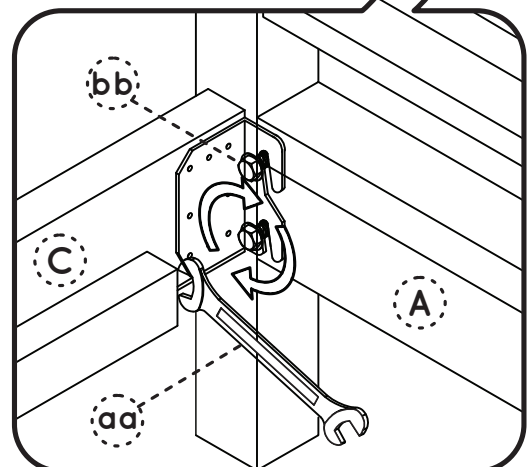
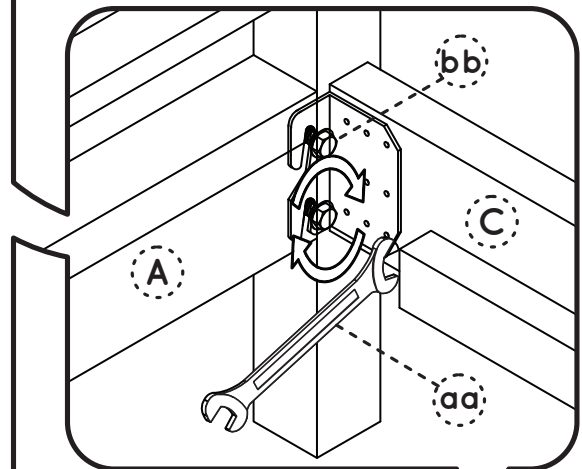


2

ATTACH SIDE RAIL (C) TO THE HEADBOARD (A).



PLEASE CAREFULLY NOTE ALL LETTER OR NUMBER AT COMPONENT THAT INDICATES HOMING DESTINATION AS NOT TO MISPLACE COMPONENTS.

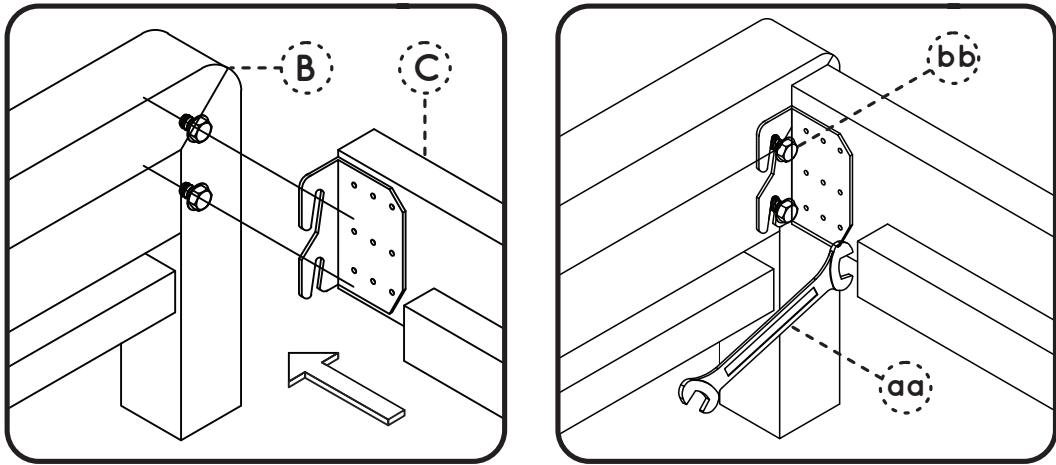


PLEASE HANG THE BRACKETS TO THE HEXAGONAL BOLTS (BB) AND LEAVE BOLTS A LITTLE BIT LOOSEN.

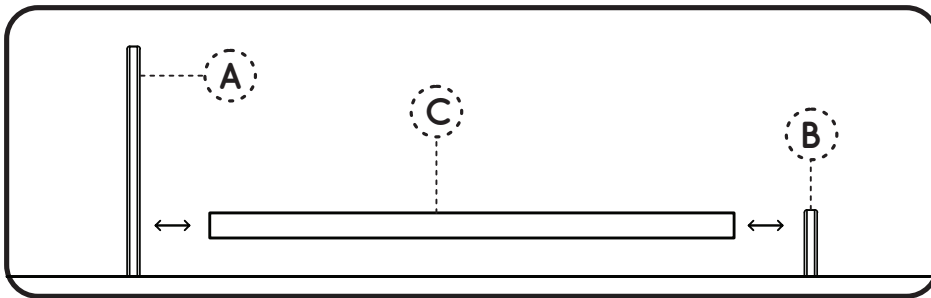
3

ATTACH FOOTBOARD (B) TO THE SIDE RAIL (C).

PLEASE NOTE THE INDICATING LETTER FOR HOMING GUIDANCE.



POSITION THE SIDE RAIL (C) ALIGNED V/ STRAIGHT WITH THE FOOTBOARD (B) AND THE HEADBOARD (A)

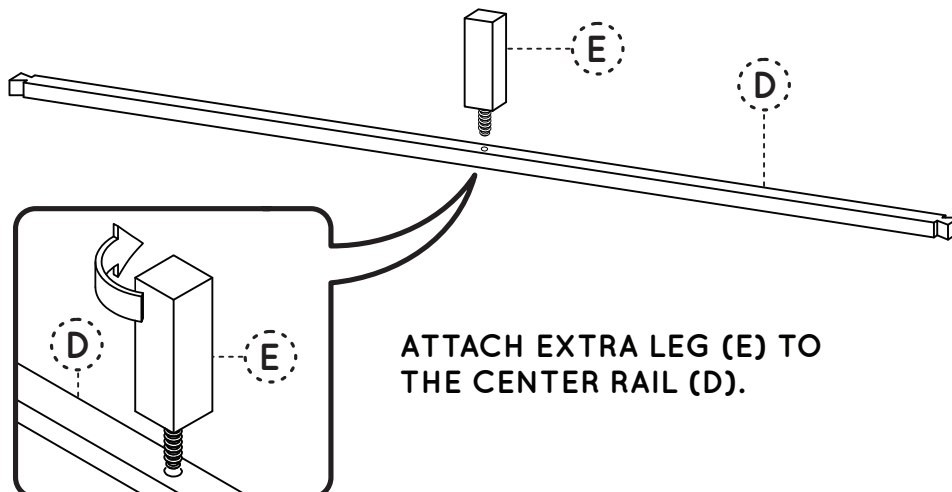


MAKE SURE THE BRACKET IS ALIGNED WITH THE HEXAGONAL BOLTS (BB).

HANG THE BRACKET TO THE HEXAGONAL BOLTS (BB), LEAVE BOLTS A LITTLE BIT LOOSEN.

MAKE SURE TO TIGHTEN ALL BOLTS BY USING WRENCH (AA).

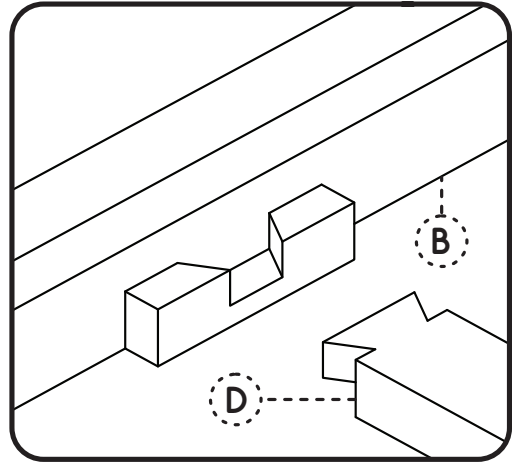
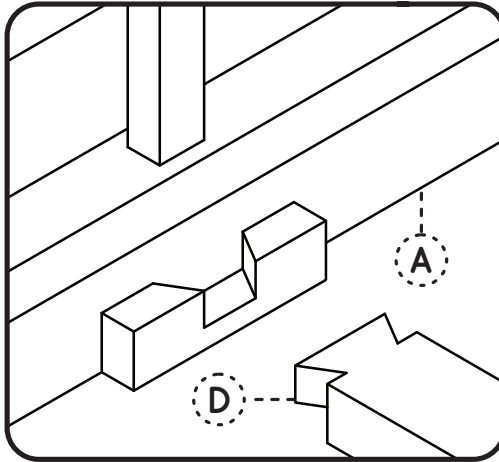
4



ATTACH EXTRA LEG (E) TO THE CENTER RAIL (D).

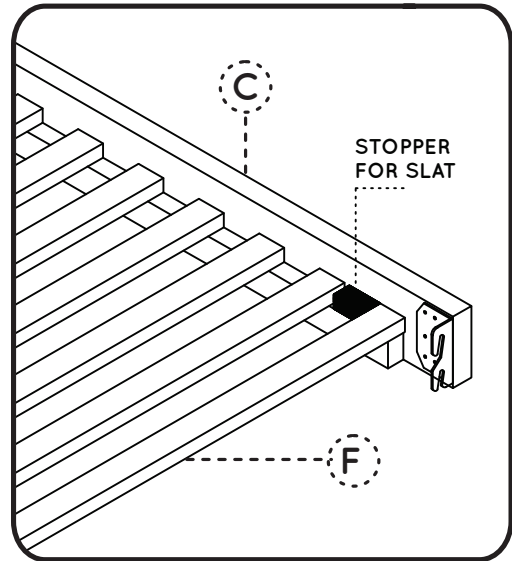
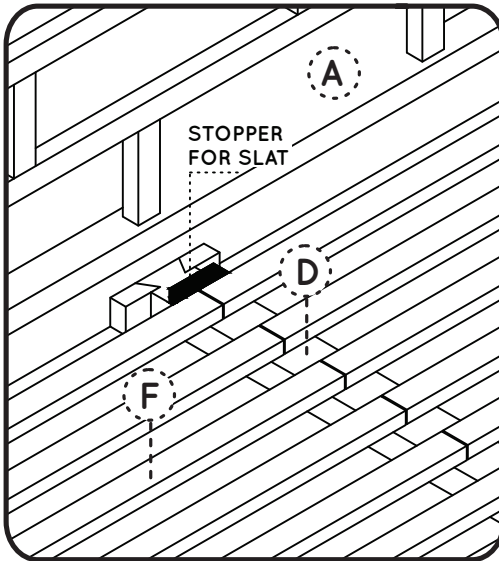
5

ATTACH CENTER RAIL (D) WITH EXTRA LEG (E) TO BED.
PLEASE DO NOT ATTACH CENTER RAIL (D) WITHOUT FIRST
SECURING EXTRA LEG (E) TO THE WHOLE BODY
OTHERWISE CENTER RAIL (D) CAN BREAK.



6

ATTACH SLATS (H) TO THE WHOLE BODY.
USE THE WOOD STOPPER AS THE GUIDE.



7

ASSEMBLY IS COMPLETED AND VOILÀ,
YOUR JUN BED WITH SLATS IS READY TO USE.

